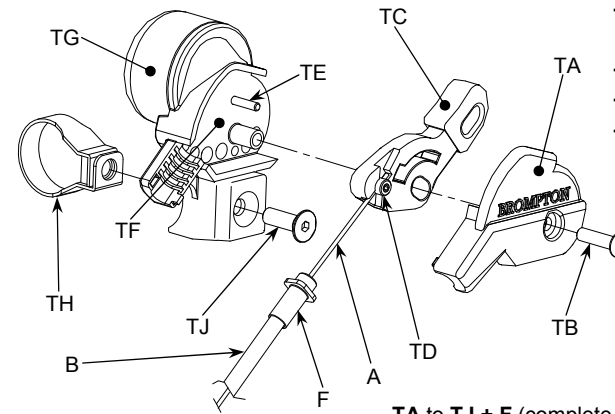


**DERAILLEUR CONTROL AND CABLES AND ACTUATOR**

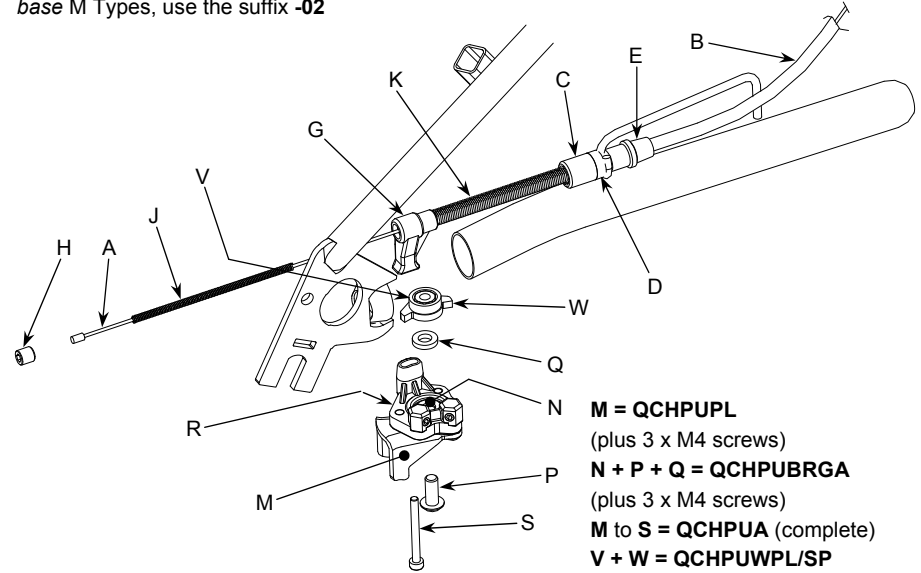


TE + TF + TG (inc. bell-striker) = QGTRIGHODRA  
 TA + TB = QGTRIGCAPDR  
 TC = QGTRIGLEVDR  
 TD = QGCABTHNIPA

TA to TJ + F (complete trigger assembly) = QGTRIGDRA

- A + B = QGCABDR-# (normal replacement cable)
- A to K = QGCABSETDR-# (complete cable set)
- A + B + G to J = QDRRETCAB-# (cable set needed with retro-upgrade kit, to suit model)
- G + H = QCHPULEGA (with inner spring tube)
- J + K = QGCABSPRSETDR (springs)
- C + D + E + F = QGCABSTSETDR (cable stops)

Note: replace "#\*" with the suffix -M -P or -S, according to bike type; for earlier, short-wheel-base M Types, use the suffix -02



M = QCHPUPL  
 (plus 3 x M4 screws)  
 N + P + Q = QCHPUBRGA  
 (plus 3 x M4 screws)  
 M to S = QCHPUA (complete)  
 V + W = QCHPUWPL/SP